

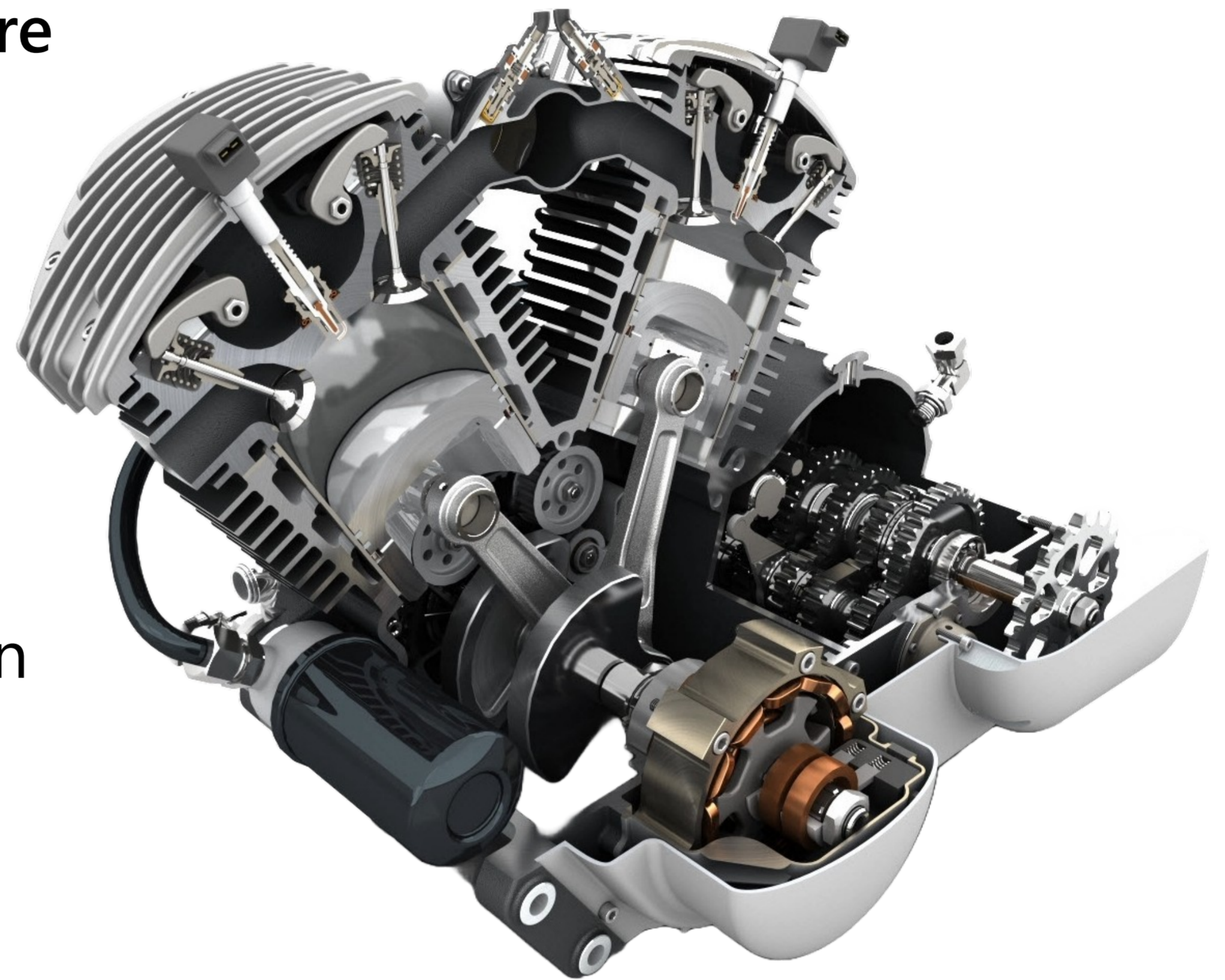
# T-FLEX CAD

**EMEX SPECIAL  
PRICING**

**\$3800 + GST**  
**1<sup>ST</sup> YEAR SUBSCRIPTION INCL**

**3D parametric solid modelling CAD software**

- Assemblies, solid body & multi-body parts
- Advanced surface modelling capabilities
- Sheet metal & weldment features
- Piping & cabling design
- Mold & press tooling design
- Direct modelling
- Express FEA & Interactive motion simulation
- Parametric drawings & associative BOM's
- Open API is based on .NET technology
- Imports most 3D models & 2D drawings
- 3d printing support



**Free 30 day trial**  
**at [www.tflex.co.nz](http://www.tflex.co.nz)**



**Scan Me**

**T-FLEX NEW ZEALAND**  
**[WWW.TFLEX.CO.NZ](http://WWW.TFLEX.CO.NZ)**  
**EMAIL [INFO@TFLEX.CO.NZ](mailto:INFO@TFLEX.CO.NZ)**

# T-FLEX Analysis

Finite Element Analysis of parts & assemblies

- Static linear & Non linear analysis
- Frequency, Buckling, Thermal, Fatigue
- Forced oscillation, Mode superposition
- AI driven Design Optimisation
- Solid body parts, multi-body parts & assemblies

**EMEX SPECIAL PRICING  
\$3800 + GST**



# T-FLEX Dynamics

Motion simulation via physics-based motion behaviour

- Static, Dynamic, Kinematic, Contact Study Analysis
- Friction & Impact Parameters

**TALK TO US FOR  
EMEX SPECIAL  
PRICING &  
PACKAGES**

Free 30 day trial  
at [www.tflex.co.nz](http://www.tflex.co.nz)



Scan Me

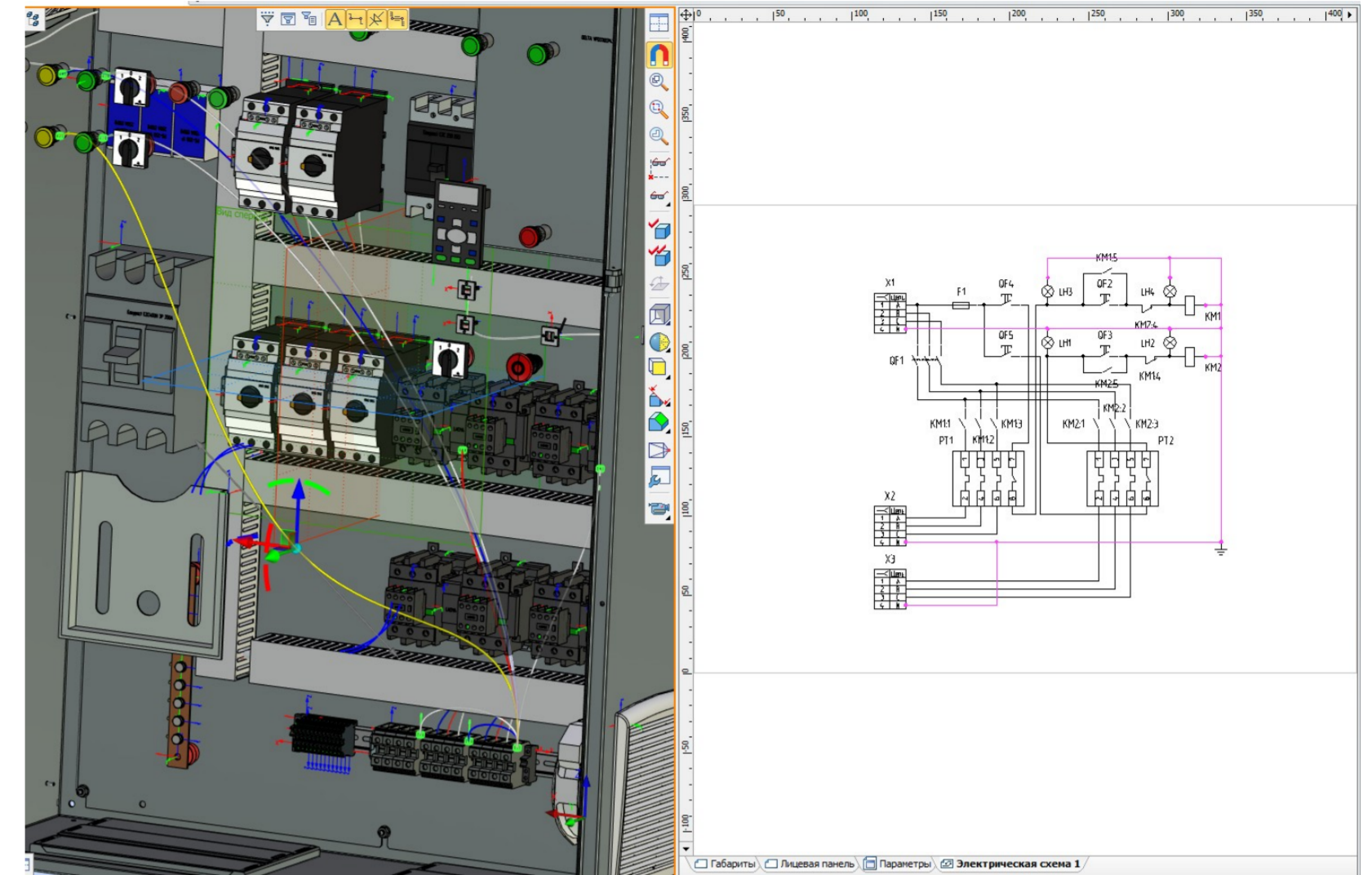
**T-FLEX NEW ZEALAND  
[WWW.TFLEX.CO.NZ](http://WWW.TFLEX.CO.NZ)  
EMAIL [INFO@TFLEX.CO.NZ](mailto:INFO@TFLEX.CO.NZ)**

# T-FLEX Electrical

T-FLEX CAD integrated tools for designing electrical & hydraulic systems

- Electrical diagrams – 2D Wires and harness layout
- Creation of graphical design documentation
- Placement of 3D models of electrical components
- Tracing electrical wiring on 3D model
- Creation of text and tabular design documentation

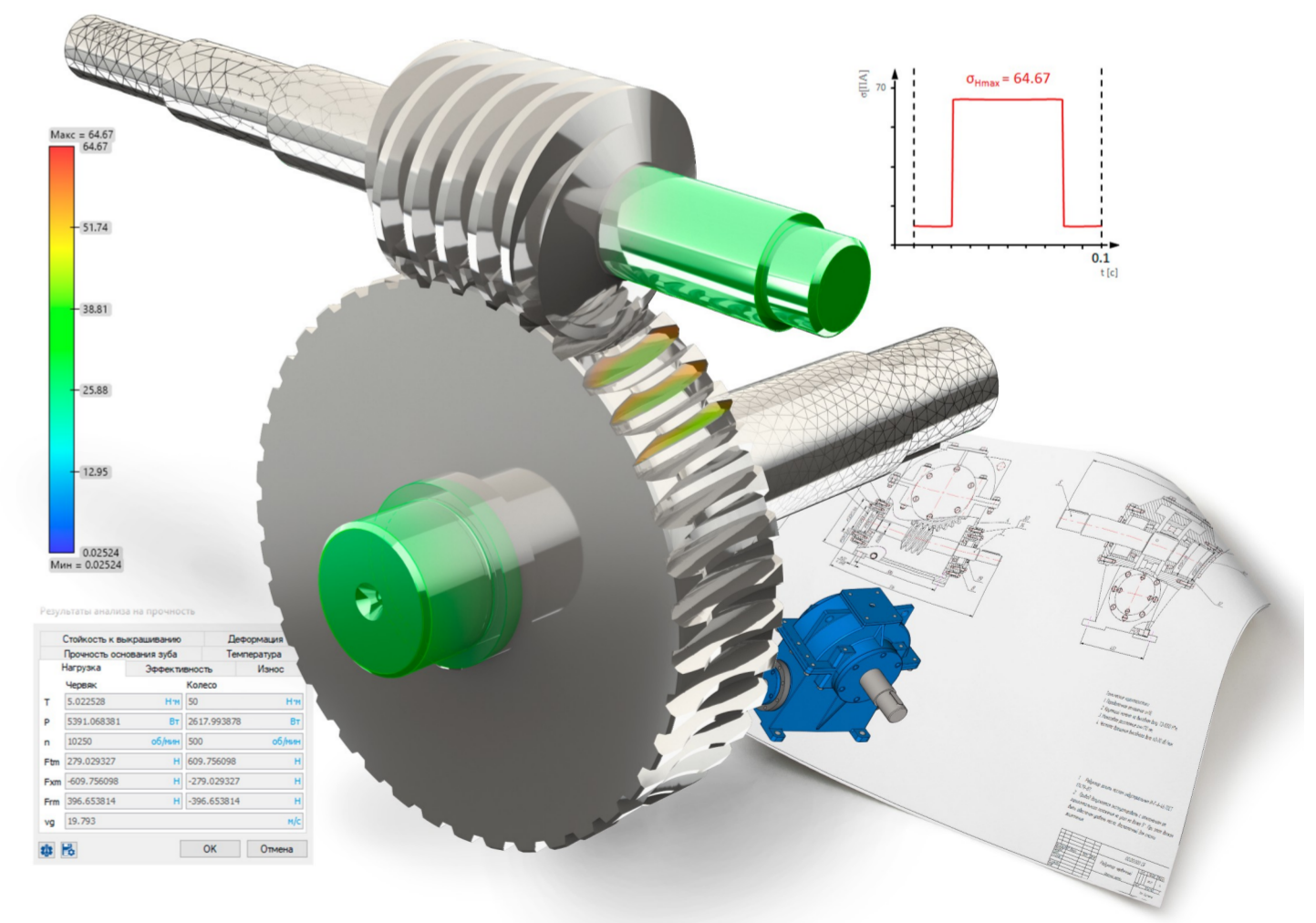
**TALK TO US FOR EMEX  
SPECIAL PRICING**



# T-FLEX Gears

T-FLEX CAD integrated tools for design, analysis and calculation of gears.

- Visual geometric analysis & strength analysis to ISO, DIN & GOST standards
- Calculation of strength, service life & tolerances to ISO, DIN & GOST standards



Free 30 day trial  
at [www.tfex.co.nz](http://www.tfex.co.nz)



Scan Me

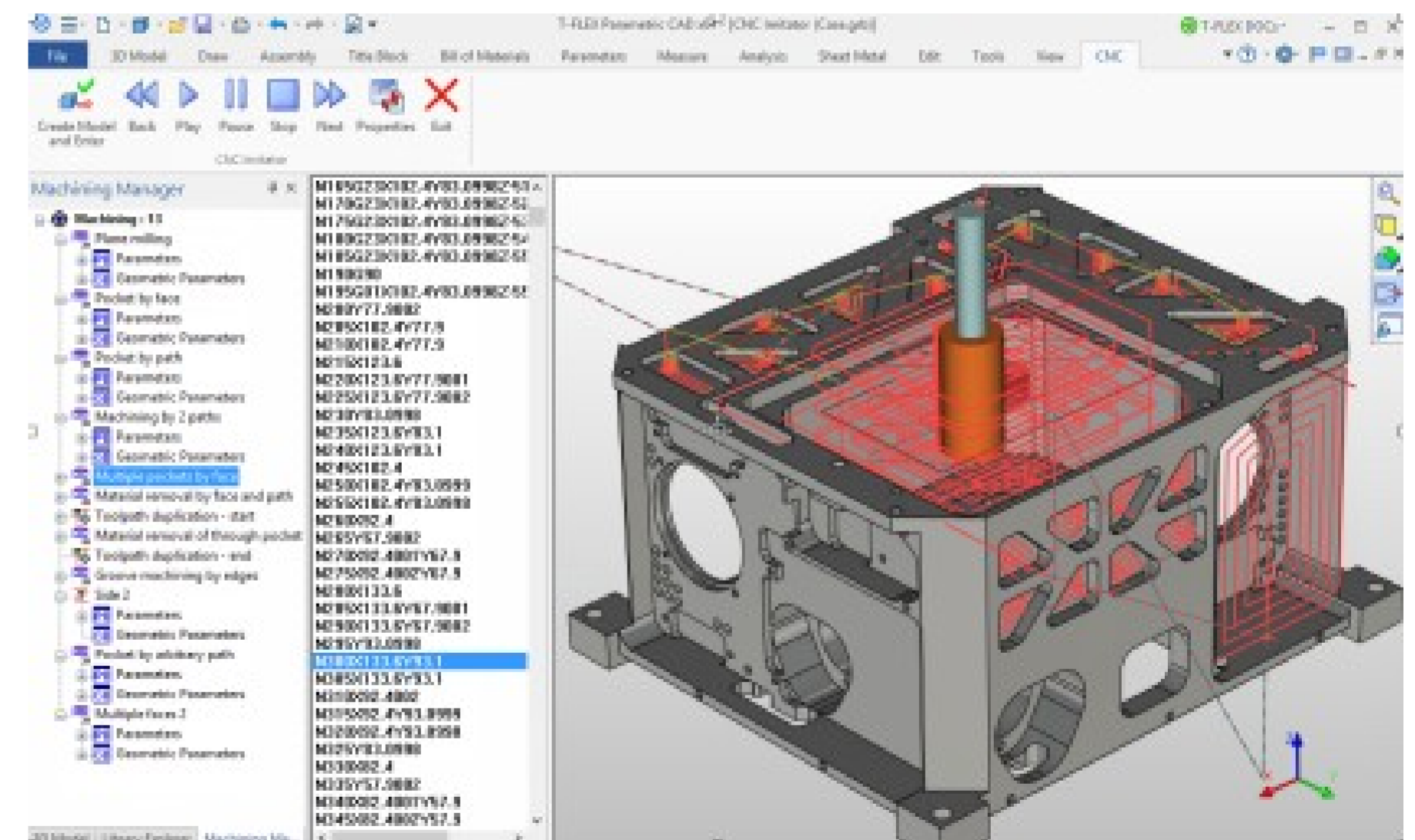
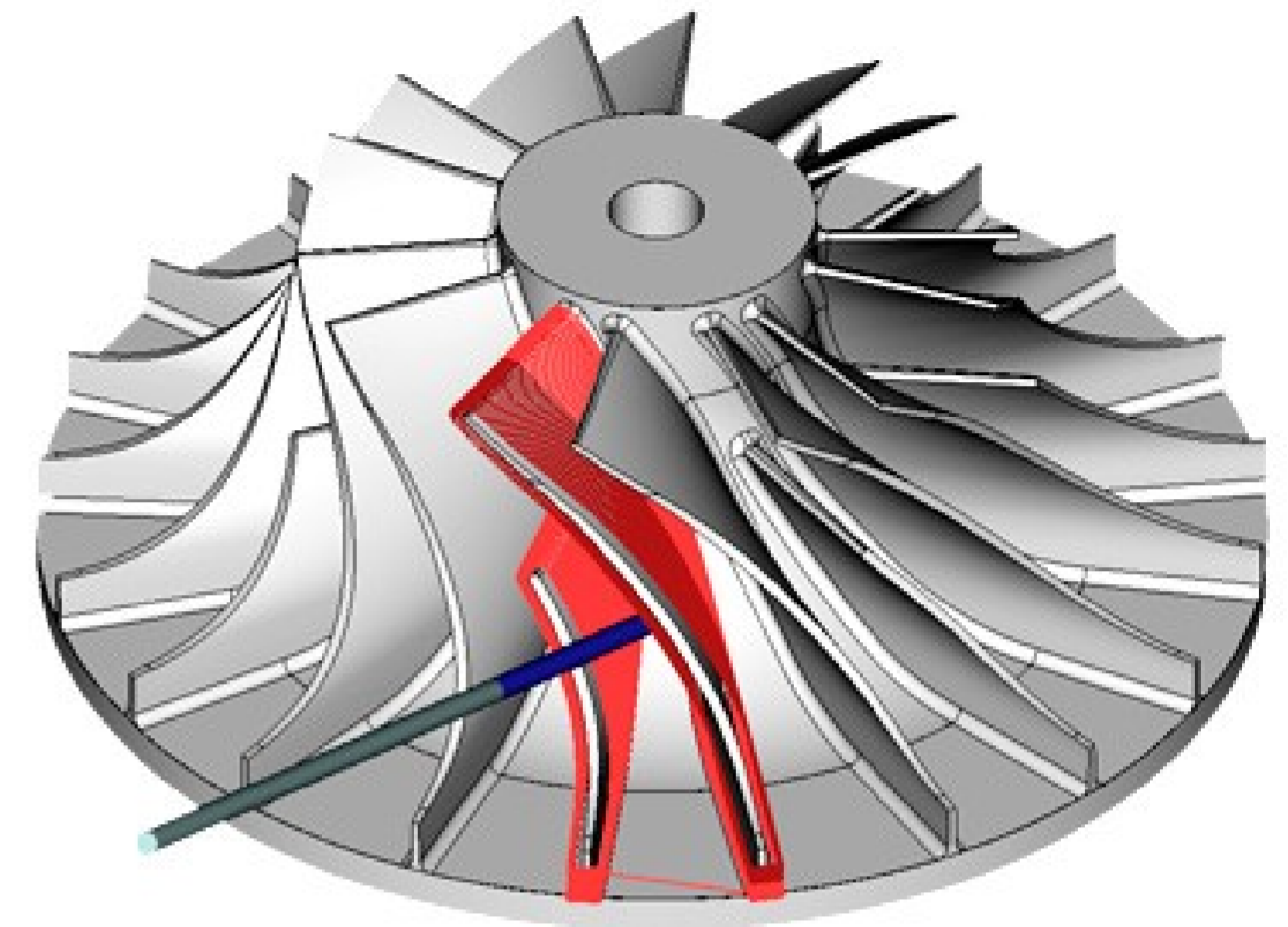
**T-FLEX NEW ZEALAND**  
**WWW.TFLEX.CO.NZ**  
**EMAIL INFO@TFLEX.CO.NZ**



**TALK TO US FOR EMEX  
SPECIAL PRICING**

**T-FLEX CAD integrated tool supporting  
manufacturing applications from wire EDM to 5 axis  
milling & combined turning-milling**

- NC program generation & toolpath construction
- Machining simulation
- Result verification & evaluation for each operation
- 2.5D milling & drilling
- Turning & axial drilling
- Wire EDM (2D and 4D)
- 2D, 3D, 4D & 5D continuous machining
- Multi-axis engraving
- Machining simulation with material removal
- Built-in postprocessor library for all machines
- Tool design & tool parameters from PLM applications
- Integration with PLM systems



**Free 30 day trial  
at [www.tflex.co.nz](http://www.tflex.co.nz)**



**Scan Me**

**T- FLEX NEW ZEALAND  
[WWW.TFLEX.CO.NZ](http://WWW.TFLEX.CO.NZ)  
EMAIL [INFO@TFLEX.CO.NZ](mailto:INFO@TFLEX.CO.NZ)**



**TALK TO US FOR EMEX  
SPECIAL PRICING**

## Work with 3d models in a Virtual 3D space

- T-FLEX CAD integrated application
- Visually analyse the design of the product
- Analyse the movement of mating parts in dynamic constructions
- Visually analyse the results from T-FLEX Analysis & Dynamics
- Verify the ergonomics of a product
- Edit the parameters of parts & assemblies
- Work with any OpenVR interface devices
  - Oculus Rift & Rift S, HTC VIVE & VIVE PRO
- Especially effective for:
  - Large products not easily transported to exhibits & presentations
  - When the wow effect is important presenting products
  - Staff training on expensive or dangerous products or when "Environment context" is important.
  - Creating real simulators is difficult or expensive



**Free 30 day trial  
at [www.tflex.co.nz](http://www.tflex.co.nz)**



**Scan Me**

**T- FLEX NEW ZEALAND  
[WWW.TFLEX.CO.NZ](http://WWW.TFLEX.CO.NZ)  
EMAIL [INFO@TFLEX.CO.NZ](mailto:INFO@TFLEX.CO.NZ)**

# T-FLEX DOCs

End-to-end data & process management providing an overall solution to managing a product's entire life cycle

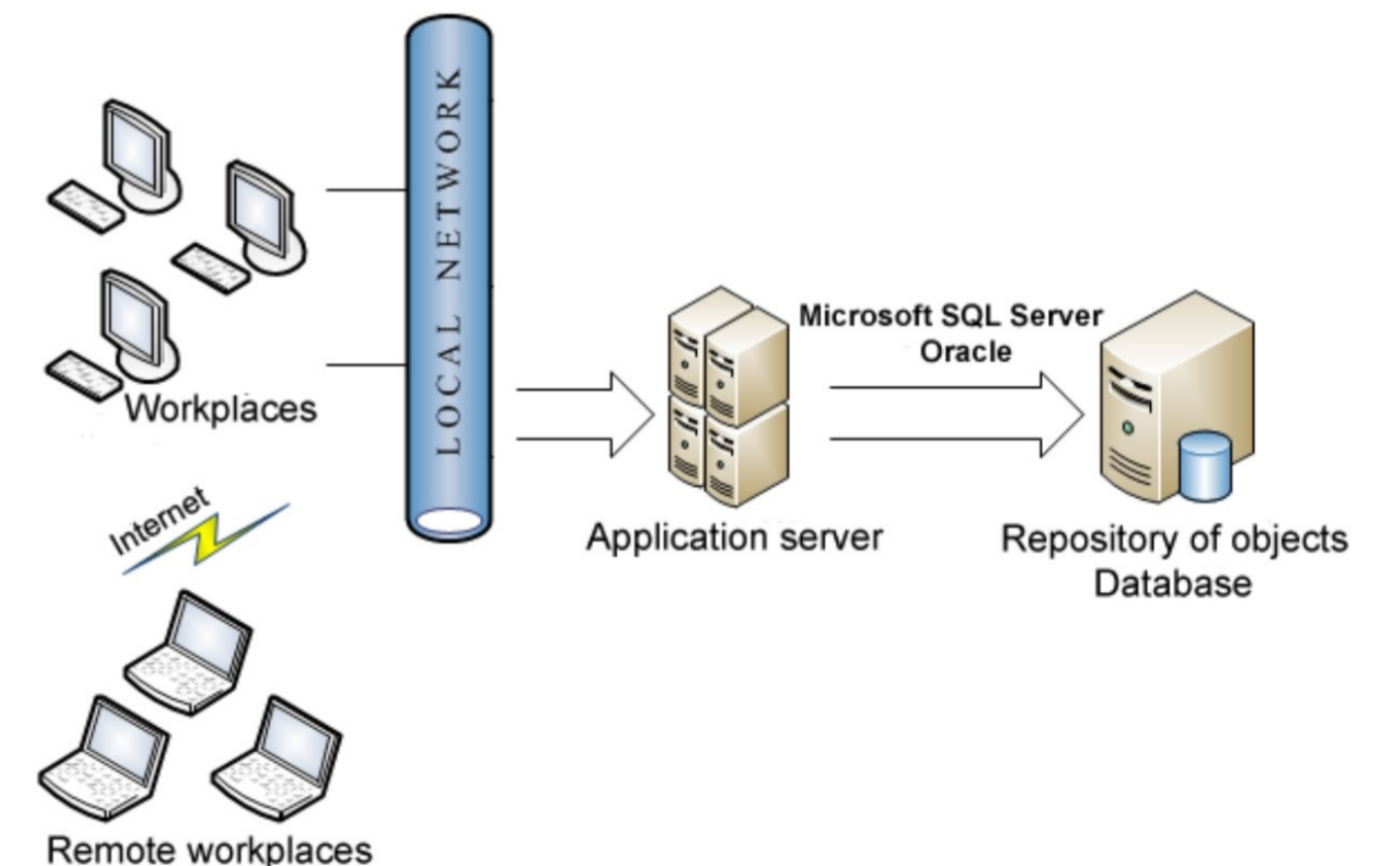
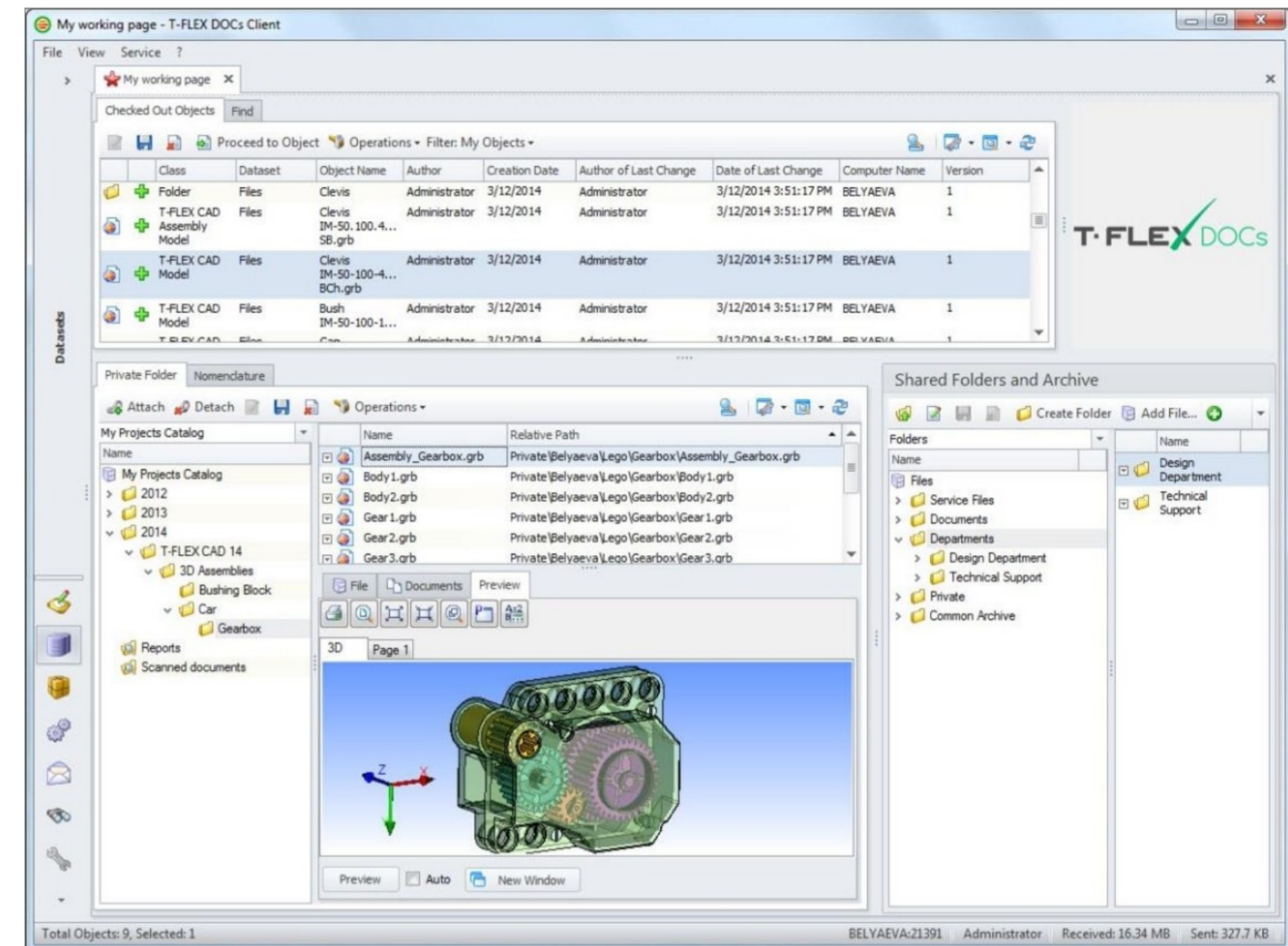
- Link data from CAD/CAM/CAE/VR/PDM applications.
- Direct integration with CAD systems and other design applications
- Various specialized custom applications based on a single kernel
- Flexible configuration of data structures and user interface
- Ability to establish relationships between data to provide enterprise wide collaboration
- Project Management module supporting scheduling and resources
- Modules for integration with most CAD systems
  - T-FLEX CAD – SolidWorks - Autodesk Inventor - AutoCAD
  - PTC Creo - Siemens NX – CATIA - Solid Edge
- T-FLEX CAD integration supports bi-directional associative connection by parameters.
- Open data structures management
- Tools to create custom user interface & custom report forms
- Tools for designing complex workflows (business processes).

Free 30 day trial  
at [www.tflex.co.nz](http://www.tflex.co.nz)



Scan Me

**TALK TO US FOR EMEX  
SPECIAL PRICING**



**T-FLEX NEW ZEALAND**  
**[WWW.TFLEX.CO.NZ](http://WWW.TFLEX.CO.NZ)**  
**[EMAIL INFO@TFLEX.CO.NZ](mailto:INFO@TFLEX.CO.NZ)**